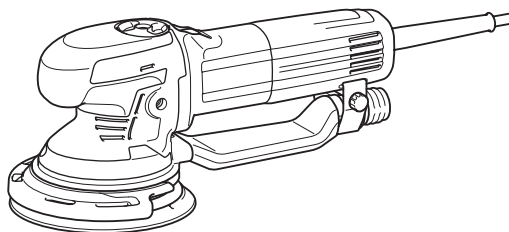


INSTRUCTION MANUAL  
MANUEL D'INSTRUCTION  
MANUAL DE INSTRUCCIONES



# Random Orbit Sander Ponceuse Orbitale à Disque Lijadora Orbital

## BO6050



DOUBLE INSULATION  
DOUBLE ISOLATION  
DOBLE AISLAMIENTO

**IMPORTANT:** Read Before Using.

**IMPORTANT :** Lire avant usage.

**IMPORTANTE:** Lea antes de usar.

# SPECIFICATIONS

Model:	BO6050
Pad size	150 mm (6")
Orbits per minute	1,600-6,800
Overall length	330 mm (13")
Net weight	2.6 kg (5.7 lbs)
Safety class	□/II

- Due to our continuing program of research and development, the specifications herein are subject to change without notice.
- Specifications may differ from country to country.
- Weight according to EPTA-Procedure 01/2003

## General power tool safety warnings

**⚠ WARNING: Read all safety warnings and all instructions.** Failure to follow the warnings and instructions may result in electric shock, fire and/or serious injury.

## Save all warnings and instructions for future reference.

The term "power tool" in the warnings refers to your mains-operated (corded) power tool or battery-operated (cordless) power tool.

### Work area safety

1. **Keep work area clean and well lit.** Cluttered or dark areas invite accidents.
2. **Do not operate power tools in explosive atmospheres, such as in the presence of flammable liquids, gases or dust.** Power tools create sparks which may ignite the dust or fumes.
3. **Keep children and bystanders away while operating a power tool.** Distractions can cause you to lose control.

### Electrical Safety

1. **Power tool plugs must match the outlet. Never modify the plug in any way. Do not use any adapter plugs with earthed (grounded) power tools.** Unmodified plugs and matching outlets will reduce risk of electric shock.
2. **Avoid body contact with earthed or grounded surfaces, such as pipes, radiators, ranges and refrigerators.** There is an increased risk of electric shock if your body is earthed or grounded.
3. **Do not expose power tools to rain or wet conditions.** Water entering a power tool will increase the risk of electric shock.
4. **Do not abuse the cord. Never use the cord for carrying, pulling or unplugging the power tool. Keep cord away from heat, oil, sharp edges or moving parts.** Damaged or entangled cords increase the risk of electric shock.
5. **When operating a power tool outdoors, use an extension cord suitable for outdoor use.** Use of a cord suitable for outdoor use reduces the risk of electric shock.

6. **If operating a power tool in a damp location is unavoidable, use a ground fault circuit interrupter (GFCI) protected supply.** Use of a GFCI reduces the risk of electric shock.

### Personal Safety

1. **Stay alert, watch what you are doing and use common sense when operating a power tool. Do not use a power tool while you are tired or under the influence of drugs, alcohol or medication.** A moment of inattention while operating power tools may result in serious personal injury.
2. **Use personal protective equipment. Always wear eye protection.** Protective equipment such as a dust mask, non-skid safety shoes, hard hat or hearing protection used for appropriate conditions will reduce personal injuries.
3. **Prevent unintentional starting. Ensure the switch is in the off-position before connecting to power source and/or battery pack, picking up or carrying the tool.** Carrying power tools with your finger on the switch or energising power tools that have the switch on invites accidents.
4. **Remove any adjusting key or wrench before turning the power tool on.** A wrench or a key left attached to a rotating part of the power tool may result in personal injury.
5. **Do not overreach. Keep proper footing and balance at all times.** This enables better control of the power tool in unexpected situations.
6. **Dress properly. Do not wear loose clothing or jewellery. Keep your hair, clothing, and gloves away from moving parts.** Loose clothes, jewellery or long hair can be caught in moving parts.
7. **If devices are provided for the connection of dust extraction and collection facilities, ensure these are connected and properly used.** Use of dust collection can reduce dust-related hazards.

### Power tool use and care

1. **Do not force the power tool. Use the correct power tool for your application.** The correct power tool will do the job better and safer at the rate for which it was designed.
2. **Do not use the power tool if the switch does not turn it on and off.** Any power tool that cannot be controlled with the switch is dangerous and must be repaired.

3. **Disconnect the plug from the power source and/or the battery pack from the power tool before making any adjustments, changing accessories, or storing power tools.** Such preventive safety measures reduce the risk of starting the power tool accidentally.
4. **Store idle power tools out of the reach of children and do not allow persons unfamiliar with the power tool or these instructions to operate the power tool.** Power tools are dangerous in the hands of untrained users.
5. **Maintain power tools. Check for misalignment or binding of moving parts, breakage of parts and any other condition that may affect the power tool's operation. If damaged, have the power tool repaired before use.** Many accidents are caused by poorly maintained power tools.
6. **Keep cutting tools sharp and clean.** Properly maintained cutting tools with sharp cutting edges are less likely to bind and are easier to control.
7. **Use the power tool, accessories and tool bits etc. in accordance with these instructions, taking into account the working conditions and the work to be performed.** Use of the power tool for operations different from those intended could result in a hazardous situation.

#### Service

1. **Have your power tool serviced by a qualified repair person using only identical replacement parts.** This will ensure that the safety of the power tool is maintained.
2. **Follow instruction for lubricating and changing accessories.**
3. **Keep handles dry, clean and free from oil and grease.**

USE PROPER EXTENSION CORD. Make sure your extension cord is in good condition. When using an extension cord, be sure to use one heavy enough to carry the current your product will draw. An undersized cord will cause a drop in line voltage resulting in loss of power and overheating. Table 1 shows the correct size to use depending on cord length and nameplate ampere rating. If in doubt, use the next heavier gage. The smaller the gage number, the heavier the cord.

**Table 1: Minimum gage for cord**


Ampere Rating		Volts	Total length of cord in feet			
			25 ft.	50 ft.	100 ft.	150 ft.
		120V	25 ft.	50 ft.	100 ft.	150 ft.
		220V - 240V	50 ft.	100 ft.	200 ft.	300 ft.
More Than	Not More Than	AWG				
0 A	6 A	-	18	16	16	14
6 A	10 A		18	16	14	12
10 A	12 A		16	16	14	12
12 A	16 A		14	12	Not Recommended	

### Sander safety warnings

1. **Always use safety glasses or goggles. Ordinary eye or sun glasses are NOT safety glasses.**
2. **Hold the tool firmly.**
3. **Do not leave the tool running. Operate the tool only when hand-held.**
4. **This tool has not been waterproofed, so do not use water on the workpiece surface.**
5. **Ventilate your work area adequately when you perform sanding operations.**
6. **Some material contains chemicals which may be toxic. Take caution to prevent dust inhalation and skin contact. Follow material supplier safety data.**
7. **Use of this tool to sand some products, paints and wood could expose user to dust containing hazardous substances. Use appropriate respiratory protection.**
8. **Be sure that there are no cracks or breakage on the pad before use. Cracks or breakage may cause a personal injury.**

### Symbols

The followings show the symbols used for tool.

V	volts
A	amperes
Hz	hertz
~	alternating current
n <sub>0</sub>	no load speed
	Class II Construction
... /min r /min	orbits per minute

### SAVE THESE INSTRUCTIONS.

**⚠ WARNING: DO NOT** let comfort or familiarity with product (gained from repeated use) replace strict adherence to safety rules for the subject product. **MISUSE** or failure to follow the safety rules stated in this instruction manual may cause serious personal injury.

# FUNCTIONAL DESCRIPTION

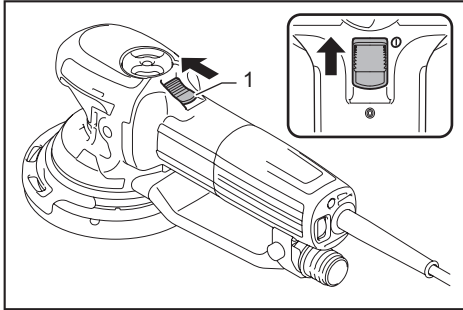
**CAUTION:** Always be sure that the tool is switched off and unplugged before adjusting or checking function on the tool.

## Switch action

**CAUTION:** Before plugging in the tool, always check to see that the slide switch actuates properly and returns to the "OFF" position when the rear of the slide switch is depressed.

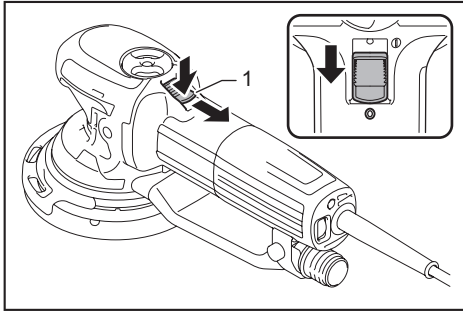
**CAUTION:** When locking tool in "ON" position apply caution and maintain firm grasp on tool.

To start the tool, slide the slide switch toward the "I (ON)" position. For continuous operation, press the front of the slide switch to lock it.



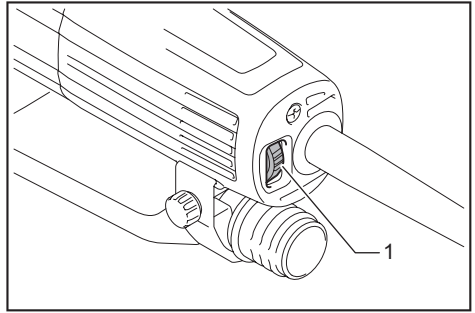
► 1. Slide switch

To stop the tool, press the rear of the slide switch, then slide it toward the "O (OFF)" position.



► 1. Slide switch

## Speed adjusting dial



► 1. Speed adjusting dial

The rotating speed can be changed by turning the speed adjusting dial to a given number setting from 1 to 5. Higher speed is obtained when the dial is turned in the direction of number 5. And lower speed is obtained when it is turned in the direction of number 1.

Refer to the table for the relationship between the number settings on the dial and the approximate rotating speed.

Number	Orbits per min.	Pad rotating speed per minute in random orbit with forced rotation mode
1	1,600	140
2	2,900	260
3	4,200	370
4	5,500	490
5	6,800	600

**NOTICE:** If the tool is operated continuously at low speeds for a long time, the motor will get overloaded, resulting in tool malfunction.

**NOTICE:** The speed adjusting dial can be turned only as far as 5 and back to 1. Do not force it past 5 or 1, or the speed adjusting function may no longer work.

## Electronic function

The tools equipped with electronic function are easy to operate because of the following features.

### Constant speed control

Possible to get fine finish, because the rotating speed is kept constant even under the loaded condition.

### Soft start feature

Soft start because of suppressed starting shock.

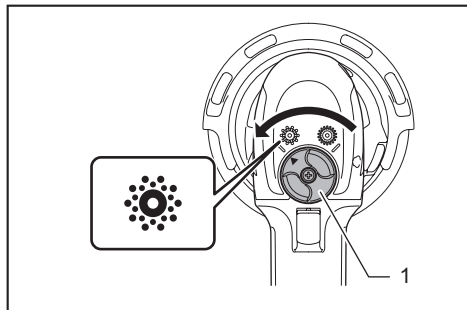
## Selecting the action mode

Use the change knob to change the rotation mode.

**NOTICE:** Always turn the knob fully. If the knob is in the middle position, you can not turn on the tool.

**NOTE:** You can not change the action mode when the tool is switched on.

### Random orbit with forced rotation mode

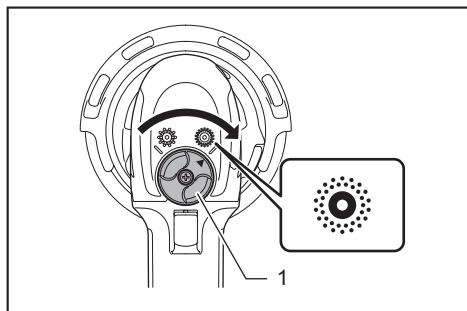


► 1. Change knob

Random orbit with forced rotation mode is orbital action with forced rotation of the pad for rough sanding and polishing.

Rotate the change knob counterclockwise for random orbit with forced rotation mode.

### Random orbit mode



► 1. Change knob

Random orbit mode is orbital action with free rotation of the pad for fine sanding.

Rotate the change knob clockwise for random orbit mode.

## Typical applications for sanding and polishing

### Sanding

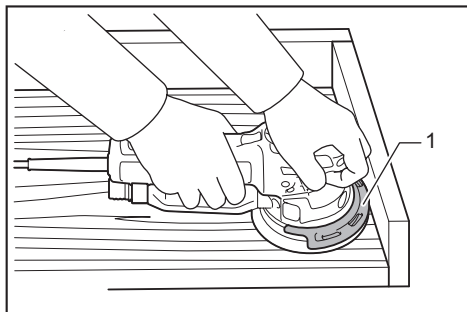
Material	Use	Mode selection		Speed control setting	Pad
		Random orbit with forced rotation	Random		
Paintwork	Sanding	-	○	1 - 3	Soft
	Repairs (scratches, rust spots)		○	2 - 3	Hard
	Rough paint stripping	○	-	4 - 5	Soft
Plastics	Soft plastics (PVC/ABS)		○	1 - 3	Super soft/Soft
	Hard plastics (FRP)	○	-	1 - 3	Soft/Hard
Woods	Softwood	-	○	1 - 3	Super soft/Soft
	Hardwood		○	3 - 5	Soft
	Veneers	-	○	1 - 2	Super Soft
Metals	Non-ferrous metal (aluminum, copper)		○	1 - 3	Soft
	Steel	○	-	3 - 5	Soft/Hard
	Steel, rust removal	○	-	4 - 5	Super Soft
	Hard metal (stainless steel)	○	-	4 - 5	Soft

### Polishing

Use	Mode selection	Speed control setting	Pad
Applying wax	Random orbit with forced rotation	2 - 4	Sponge pad
Removing wax	Random orbit with forced rotation	3 - 4	Felt pad
Polishing	Random orbit with forced rotation	3 - 4	Wool pad

The above information is intended only as a guide. In each case, the most appropriate sanding disc grain should be determined by preliminary trials.

## Protector

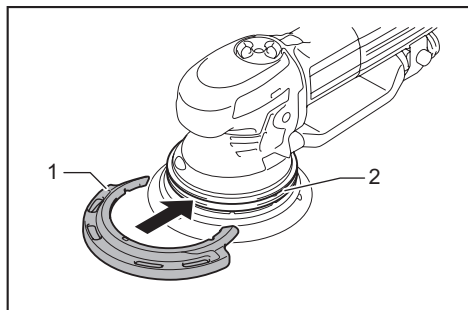


► 1. Protector

The protector prevents the pad, the tool housing and the wall from being damaged when working near a wall. Always use the protector when working.

To install the protector, align the tongue of the protector with the groove, and push in the protector.

To remove the protector, pull the protector forward.

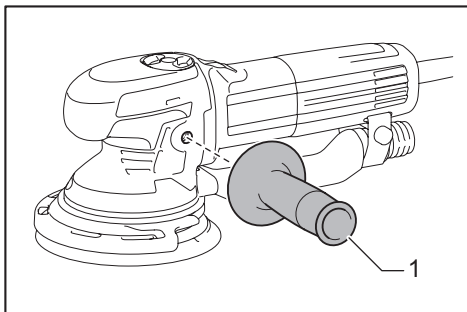


► 1. Protector 2. Groove

## ASSEMBLY

**CAUTION:** Always be sure that the tool is switched off and unplugged before carrying out any work on the tool.

## Installing side grip



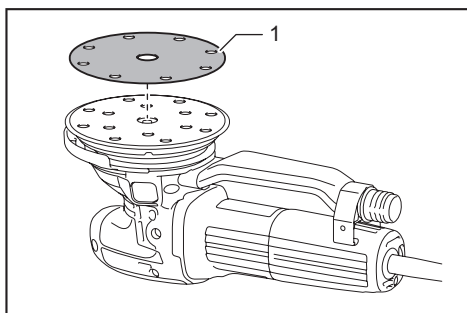
► 1. Side grip

Screw the side grip on the tool securely.

The side grip can be installed on either side of the tool.

## Installing or removing abrasive disc

**CAUTION:** Always use hook-and-loop system abrasive discs. Never use pressure-sensitive abrasive discs.



► 1. Abrasive disc

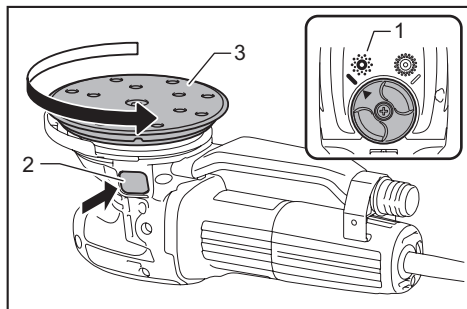
To install the abrasive disc or the hook-and-loop type pad (optional accessory), first remove all dirt and foreign matter from the pad.

Then attach the abrasive disc to the pad, using the hook-and-loop system of the abrasive disc and the pad. Be careful to align the holes in the abrasive disc with those in the pad.

To remove the disc from the pad, just pull up from its edge.

## Changing pad

**CAUTION:** Make sure the new pad is installed securely. Otherwise the pad may come off from the tool and cause personal injury.



- 1. Random orbit with forced rotation mode 2. Shaft lock button 3. Pad

Makita offers an extensive range of optional super soft, soft and hard pads.

To change the pad, perform as follows:

1. Use the change knob and change the mode into random orbit with forced rotation mode.
2. Press and hold the shaft lock button, and remove the pad by turning the pad counterclockwise.
3. Keep holding the shaft lock button, and install a new pad by turning the pad clockwise firmly.

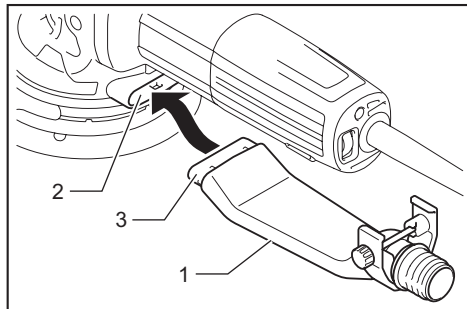
## Dust nozzle

**CAUTION:** Make sure the bolt is securely tightened after installing the dust nozzle. Otherwise the dust nozzle may fall and cause personal injury.

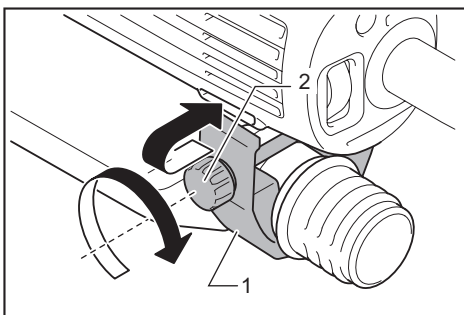
**NOTICE:** Do not carry the tool by the dust nozzle. Otherwise the tool may be damaged.

You can remove the dust nozzle in accordance with the operation. To remove the dust nozzle, loosen the bolt, slightly open the holder part, and remove the dust nozzle.

To install the dust nozzle, insert the mouth of the dust nozzle into the dust outlet of the housing, align the tongue of the holder part with the groove of the housing, and tighten the bolt.

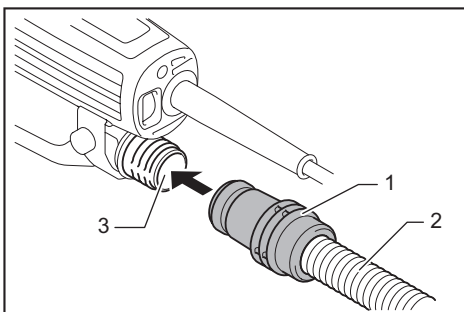


- 1. Dust nozzle 2. Dust outlet 3. Mouth



- 1. Holder part 2. Bolt

## Dust collection (optional accessory)



- 1. Front cuffs 24 2. Hose 3. Dust outlet

If a Makita hose is used, you can connect the front cuffs 24 to the dust outlet directly.

## OPERATION

**CAUTION:** Only use Makita genuine abrasive discs and pads for sander (optional accessories).

**CAUTION:** Never switch on the tool when it is in contact with the workpiece, it may cause an injury to operator.

**CAUTION:** Make sure the work material is secured and stable. Falling object may cause personal injury.

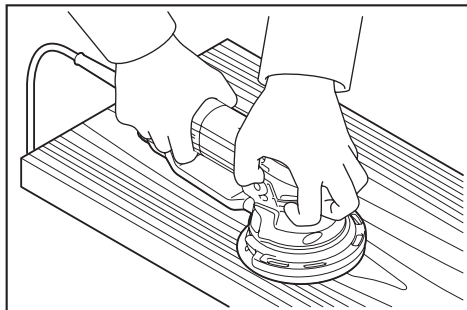
**CAUTION:** Hold the tool firmly with one hand on the switch handle and the other hand on the front grip (or side handle) when performing the tool.

**NOTICE:** Be careful not to press down the shaft lock button. It may shorten tool life.

**NOTICE:** Never force the tool. Excessive pressure may decrease the sanding / polishing efficiency, damage the abrasive disc / pad or shorten tool life.

## Sanding operation

**NOTICE:** Never run the tool without the abrasive disc. You may seriously damage the pad.

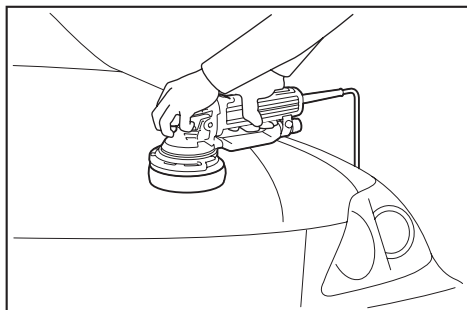


Hold the tool firmly. Turn the tool on and wait until it attains full speed. Then gently place the tool on the workpiece surface. Keep the pad flush with the workpiece and apply slight pressure on the tool.

## Polishing operation

### Optional accessory

**NOTICE:** Continuous operation at high speed may damage work surface.



### 1. Applying wax

Use the sponge pad. Apply wax to the sponge pad or work surface. Run the tool at low speed to smooth out wax.

**NOTE:** First, wax a not conspicuous portion of the work surface to make sure that the tool will not scratch the surface or result in uneven waxing.

### 2. Removing wax

Use the felt pad. Run the tool to remove wax.

### 3. Polishing

Apply the wool pad gently to the work surface.

## MAINTENANCE

**CAUTION:** Always be sure that the tool is switched off and unplugged before attempting to perform inspection or maintenance.

**NOTICE:** Never use gasoline, benzene, thinner, alcohol or the like. Discoloration, deformation or cracks may result.

To maintain product SAFETY and RELIABILITY, repairs, any other maintenance or adjustment should be performed by Makita Authorized or Factory Service Centers, always using Makita replacement parts.

## OPTIONAL ACCESSORIES

**CAUTION:** These accessories or attachments are recommended for use with your Makita tool specified in this manual. The use of any other accessories or attachments might present a risk of injury to persons. Only use accessory or attachment for its stated purpose.

If you need any assistance for more details regarding these accessories, ask your local Makita Service Center.

- Hook-and-loop type abrasive discs (with pre-punched holes)
- Hook-and-loop type sponge pad
- Hook-and-loop type felt pad
- Hook-and-loop type wool pad
- Pad 150 (Super soft, Soft, Hard)
- Pad 130 (Polishing)
- Side grip

**NOTE:** Some items in the list may be included in the tool package as standard accessories. They may differ from country to country.

## MAKITA LIMITED WARRANTY

Please refer to the annexed warranty sheet for the most current warranty terms applicable to this product. If annexed warranty sheet is not available, refer to the warranty details set forth at below website for your respective country.

United States of America: [www.makitatools.com](http://www.makitatools.com)

Canada: [www.makita.ca](http://www.makita.ca)

Other countries: [www.makita.com](http://www.makita.com)



## SPÉCIFICATIONS

Modèle :	BO6050
Dimensions du plateau	150 mm (6")
Nombre d'oscillations par minute	1 600-6 800
Longueur totale	330 mm (13")
Poids net	2,6 kg (5,7 lbs)
Classe de sécurité	⊠/II

- Étant donné l'évolution constante de notre programme de recherche et de développement, les spécifications contenues dans ce manuel sont sujettes à modification sans préavis.
- Les spécifications peuvent varier suivant les pays.
- Poids conforme à la procédure EPTA du 01/2003

### Consignes de sécurité générales pour outils électriques

**⚠ MISE EN GARDE :** Lisez toutes les consignes de sécurité et toutes les instructions. L'ignorance des mises en garde et des instructions comporte un risque de choc électrique, d'incendie et/ou de blessure grave.

### Conservez toutes les mises en garde et instructions pour référence future.

Le terme « outil électrique » qui figure dans les avertissements fait référence à un outil électrique branché sur une prise de courant (par un cordon d'alimentation) ou alimenté par batterie (sans fil).

#### Sécurité de la zone de travail

1. **Maintenez la zone de travail propre et bien éclairée.** Les zones de travail encombrées ou sombres ouvrent grande la porte aux accidents.
2. **N'utilisez pas les outils électriques dans les atmosphères explosives, par exemple en présence de liquides, gaz ou poussières inflammables.** Les outils électriques produisent des étincelles au contact desquelles la poussière ou les vapeurs peuvent s'enflammer.
3. **Assurez-vous qu'aucun enfant ou curieux ne s'approche pendant que vous utilisez un outil électrique.** Vous risquez de perdre la maîtrise de l'outil si votre attention est détournée.

#### Sécurité en matière d'électricité

1. **Les fiches d'outil électrique sont conçues pour s'adapter parfaitement aux prises de courant. Ne modifiez jamais la fiche de quelque façon que ce soit. N'utilisez aucun adaptateur de fiche sur les outils électriques avec mise à la terre.** En ne modifiant pas les fiches et en les insérant dans des prises de courant pour lesquelles elles ont été conçues, vous réduirez les risques de choc électrique.
2. **Évitez tout contact corporel avec les surfaces mises à la terre, telles que tuyaux, radiateurs, cuisinières et réfrigérateurs.** Le risque de choc électrique est plus élevé si votre corps se trouve mis à la terre.

3. **N'exposez pas les outils électriques à la pluie ou à l'eau.** La présence d'eau dans un outil électrique augmente le risque de choc électrique.
4. **Ne maltraitez pas le cordon. N'utilisez jamais le cordon pour transporter, tirer ou débrancher l'outil électrique. Maintenez le cordon à l'écart des sources de chaleur, de l'huile, des objets à bords tranchants et des pièces en mouvement.** Le risque de choc électrique est plus élevé lorsque les cordons sont endommagés ou enchevêtrés.
5. **Lorsque vous utilisez un outil électrique à l'extérieur, utilisez un cordon prolongateur conçu pour l'usage extérieur.** Les risques de choc électrique est moindre lorsqu'un cordon conçu pour l'usage extérieur est utilisé.
6. **Si vous devez utiliser un outil électrique dans un endroit humide, utilisez une source d'alimentation protégée par un disjoncteur de fuite à la terre.** L'utilisation d'un disjoncteur de fuite à la terre réduit le risque de choc électrique.

#### Sécurité personnelle

1. **Restez alerte, attentif à vos mouvements et faites preuve de bon sens lorsque vous utilisez un outil électrique. N'utilisez pas les outils électriques si vous êtes fatigué ou avez pris une drogue, de l'alcool ou un médicament.** Un moment d'inattention pendant l'utilisation d'un outil électrique peut entraîner une grave blessure.
2. **Portez des dispositifs de protection personnelle. Portez toujours une protection oculaire.** Les risques de blessure seront moins élevés si vous utilisez des dispositifs de protection tels qu'un masque anti-poussière, des chaussures à semelle antidérapante, une coiffure résistante ou une protection d'oreilles.
3. **Évitez les démarrages accidentels. Assurez-vous que l'interrupteur est en position d'arrêt avant de brancher l'outil à la prise de courant et/ou au bloc-piles, et avant de prendre ou de transporter l'outil.** Vous ouvrez la porte aux accidents si vous transportez les outils électriques avec le doigt sur l'interrupteur ou si vous les branchez alors que l'interrupteur est en position de marche.

4. **Retirez toute clé de réglage ou de serrage avant de mettre l'outil électrique sous tension.** Toute clé laissée en place sur une pièce rotative de l'outil électrique peut entraîner une blessure.
5. **Ne vous étirez pas exagérément. Assurez-vous d'une bonne prise au sol et d'un bon équilibre en tout temps.** Cela vous permettra d'avoir une meilleure maîtrise de l'outil électrique dans les situations imprévues.
6. **Portez des vêtements adéquats. Ne portez ni vêtements amples ni bijoux. Vous devez maintenir cheveux, vêtements et gants à l'écart des pièces en mouvement.** Les pièces en mouvement peuvent happer les vêtements amples, les bijoux et les cheveux longs.
7. **Si des accessoires sont fournis pour raccorder un appareil d'aspiration et de collecte de la poussière, assurez-vous qu'ils sont correctement raccordés et qu'ils sont utilisés de manière adéquate.** L'utilisation d'un appareil de collecte permet de réduire les risques liés à la présence de poussière dans l'air.
5. **Veillez à l'entretien des outils électriques. Assurez-vous que les pièces mobiles ne sont pas désalignées ou coincées, qu'aucune pièce n'est cassée et que l'outil électrique n'a subi aucun dommage affectant son bon fonctionnement. Le cas échéant, faites réparer l'outil électrique avant de l'utiliser.** De nombreux accidents sont causés par des outils électriques mal entretenus.
6. **Maintenez les outils tranchants bien aiguisés et propres.** Un outil tranchant dont l'entretien est effectué correctement et dont les bords sont bien aiguisés risquera moins de se coincer et sera plus facile à maîtriser.
7. **Utilisez l'outil électrique, ses accessoires, ses embouts, etc., en respectant les présentes instructions, en tenant compte des conditions de travail et du type de travail à effectuer.** L'utilisation d'un outil électrique pour d'autres usages que ceux prévus peut entraîner une situation dangereuse.

#### Utilisation et entretien des outils électriques

1. **Ne forcez pas l'outil électrique. Utilisez l'outil électrique adéquat suivant le type de travail à effectuer.** Si vous utilisez l'outil électrique adéquat et respectez le régime pour lequel il a été conçu, il effectuera un travail de meilleure qualité et plus sécuritaire.
2. **N'utilisez pas l'outil électrique s'il n'est pas possible de l'allumer et de l'éteindre avec son interrupteur.** Un outil électrique dont l'interrupteur est défectueux représente un danger et doit être réparé.
3. **Débranchez la fiche de la source d'alimentation et/ou retirez le bloc-piles de l'outil électrique avant d'effectuer tout réglage, de remplacer un accessoire ou de ranger l'outil électrique.** De telles mesures préventives réduisent les risques de démarrage accidentel de l'outil électrique.
4. **Après l'utilisation d'un outil électrique, rangez-le hors de portée des enfants et ne laissez aucune personne l'utiliser si elle n'est pas familiarisée avec l'outil électrique ou les présentes instructions d'utilisation.** Les outils électriques représentent un danger entre les mains de personnes qui n'en connaissent pas le mode d'utilisation.

#### Réparation

1. **Faites réparer votre outil électrique par un réparateur qualifié qui utilise des pièces de rechange identiques aux pièces d'origine.** Le maintien de la sûreté de l'outil électrique sera ainsi assuré.
2. **Suivez les instructions de lubrification et de remplacement des accessoires.**
3. **Maintenez les poignées de l'outil sèches, propres et exemptes d'huile ou de graisse.**

**UTILISEZ UN CORDON PROLONGATEUR APPROPRIÉ.** Assurez-vous que votre cordon prolongateur est en bonne condition. Lorsque vous utilisez un cordon prolongateur, assurez-vous qu'il est assez robuste pour transporter le courant exigé par le produit. Un cordon trop petit entraînera une baisse dans la tension composée, ce qui causera une perte d'énergie et une surchauffe. Le tableau 1 indique la dimension de cordon à utiliser, en fonction de la longueur du cordon et de l'intensité nominale figurant sur la plaque signalétique. En cas de doute, utilisez un calibre plus robuste. Plus le numéro de calibre est bas, plus le cordon est robuste.

**Tableau 1 : Calibre minimum du cordon**

Intensité nominale		Volts	Longueur totale du cordon en pieds			
			25 ft.	50 ft.	100 ft.	150 ft.
		120 V				
		220 V - 240 V	50 ft.	100 ft.	200 ft.	300 ft.
		Calibre américain des fils				
Plus de	Pas plus de	-	18	16	16	14
0 A	6 A		18	16	14	12
6 A	10 A		16	16	14	12
10 A	12 A		14	12	Non recommandé	
12 A	16 A					

## Consignes de sécurité pour ponceuse


1. Portez toujours des lunettes de sécurité ou des lunettes à coques. Les lunettes ordinaires et les lunettes de soleil ne sont PAS des lunettes de sécurité.
2. Tenez l'outil fermement.
3. N'abandonnez pas l'outil alors qu'il tourne. Ne faites fonctionner l'outil qu'une fois que vous l'avez bien en main.
4. Cet outil n'ayant pas été imperméabilisé, la surface de la pièce à travailler doit être exempte d'eau lors de son utilisation.
5. Aérez votre aire de travail de manière adéquate lorsque vous effectuez des travaux de ponçage.
6. Certains matériaux contiennent des produits chimiques qui peuvent être toxiques. Prenez les précautions nécessaires pour éviter l'inhalation de ces poussières ou leur contact avec la peau. Conformez-vous aux consignes de sécurité du fournisseur du matériau.
7. L'utilisation de cet outil pour poncer certains produits, les surfaces peintes et le bois peut exposer l'utilisateur à des poussières qui contiennent des substances dangereuses. Utilisez une protection des voies respiratoires appropriée.
8. Avant l'utilisation, assurez-vous que le plateau n'est ni fissuré ni cassé. Il y a risque de blessure s'il est fissuré ou cassé.

## CONSERVEZ CE MODE D'EMPLOI.

**⚠ MISE EN GARDE : NE VOUS LAISSEZ PAS tromper (au fil d'une utilisation répétée) par un sentiment d'aisance ou de familiarité avec le produit en négligeant les consignes de sécurité qui accompagnent le produit. L'UTILISATION INCORRECTE ou l'ignorance des consignes de sécurité du présent manuel d'instructions comporte un risque de blessure grave.**

## Symboles

Les symboles utilisés pour l'outil sont indiqués ci-dessous.

V	volts
A	ampères
Hz	hertz
~	courant alternatif
n <sub>o</sub>	vitesse à vide
	construction, catégorie II
... /min	nombre d'oscillations par minute
r /min	

## DESCRIPTION DU FONCTIONNEMENT

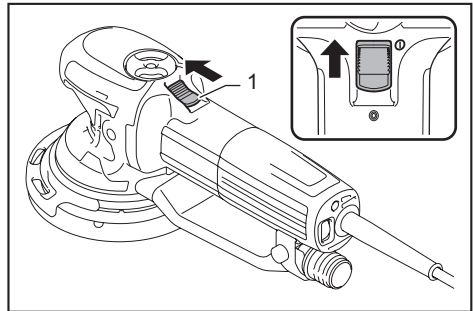
**⚠ ATTENTION :** Assurez-vous toujours que l'outil est hors tension et débranché avant de l'ajuster ou de vérifier son fonctionnement.

### Interrupteur

**⚠ ATTENTION :** Avant de brancher l'outil, assurez-vous toujours que l'interrupteur à glissière fonctionne correctement et revient en position d'arrêt lorsque vous enfoncez l'arrière de l'interrupteur à glissière.

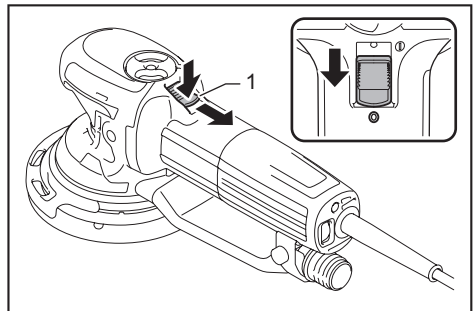
**⚠ ATTENTION :** Lorsque vous verrouillez l'outil en position de marche, soyez prudent et maintenez une prise ferme sur l'outil.

Pour démarrer l'outil, faites glisser l'interrupteur à glissière sur la position « I » (marche). Pour une utilisation continue, appuyez à l'avant de l'interrupteur à glissière pour le verrouiller.



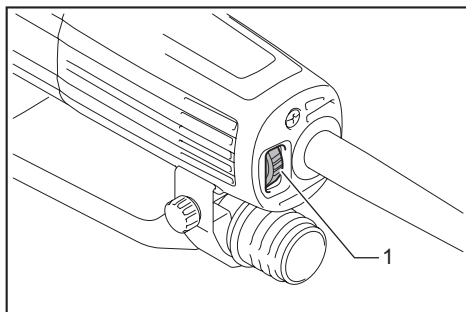
► 1. Interrupteur à glissière

Pour arrêter l'outil, appuyez à l'arrière de l'interrupteur à glissière, puis faites-le glisser sur la position « O » (arrêt).



► 1. Interrupteur à glissière

## Cadran de réglage de la vitesse



► 1. Cadran de réglage de la vitesse

La vitesse de rotation peut être ajustée en tournant le cadran de réglage de la vitesse sur un numéro de réglage donné, de 1 à 5. Une vitesse plus élevée est obtenue lorsque le cadran est tourné dans le sens du numéro 5. Une vitesse plus basse est obtenue lorsqu'il est tourné dans le sens du numéro 1.

Reportez-vous au tableau pour le rapport entre le chiffre de réglage sur le cadran et la vitesse de rotation approximative.

Numéro	Nombre d'oscillations par minute	Vitesse de rotation par minute du plateau en mode d'oscillation aléatoire avec rotation forcée
1	1 600	140
2	2 900	260
3	4 200	370
4	5 500	490
5	6 800	600

**AVIS :** Si l'outil est utilisé de manière continue à vitesse réduite sur une période prolongée, le moteur sera surchargé et cela entraînera un mauvais fonctionnement de l'outil.

**AVIS :** Le cadran de réglage de la vitesse ne peut pas dépasser le 5 et le 1. Ne le forcez pas à dépasser le 5 ou le 1, sinon la fonction de réglage de la vitesse risque de ne plus fonctionner.

## Fonctions électroniques

Les caractéristiques qui suivent facilitent l'utilisation des outils munis de fonctions électroniques.

### Commande de vitesse constante

Permet d'obtenir une finition précise puisque la vitesse de rotation est maintenue constante même dans des conditions de lourde charge.

### Fonction de démarrage en douceur

La suppression du choc de démarrage permet un démarrage en douceur.

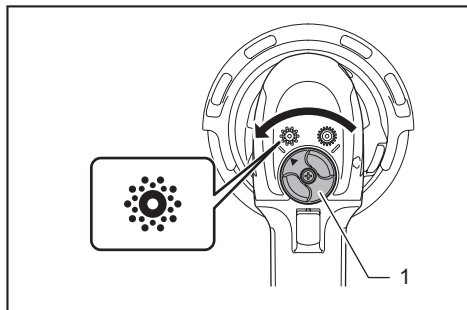
## Sélection du mode de travail

Utilisez le bouton de changement de mode pour changer le mode de rotation.

**AVIS :** Tournez toujours le bouton complètement. Vous ne pourrez pas allumer l'outil si le bouton se trouve entre deux positions.

**NOTE :** Il n'est pas possible de changer le mode de travail pendant que l'outil est allumé.

### Mode d'oscillation aléatoire avec rotation forcée

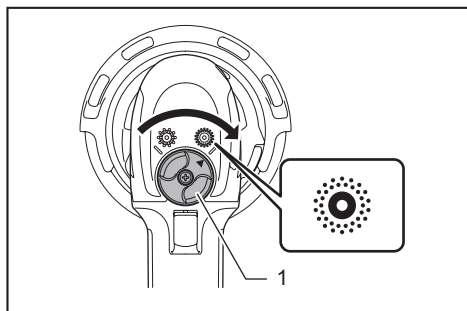


► 1. Bouton de changement de mode

Le mode d'oscillation aléatoire avec rotation forcée exerce un mouvement oscillatoire avec rotation forcée du plateau, pour les travaux de ponçage grossier et de polissage.

Tournez le bouton de changement de mode dans le sens contraire des aiguilles d'une montre pour sélectionner le mode d'oscillation aléatoire avec rotation forcée.

### Mode d'oscillation aléatoire



► 1. Bouton de changement de mode

Le mode d'oscillation aléatoire exerce un mouvement oscillatoire avec rotation libre du plateau, pour les travaux fins de ponçage.

Tournez le bouton de changement de mode dans le sens des aiguilles d'une montre pour sélectionner le mode d'oscillation aléatoire.

# Applications typiques du ponçage et du polissage

## Ponçage

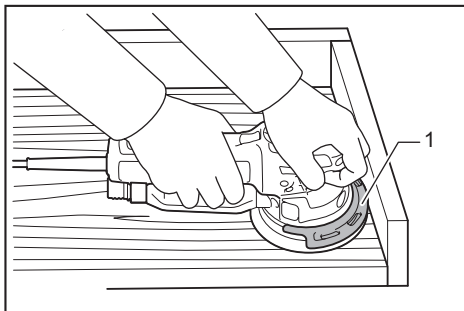
Matériau	Utilisation	Sélection du mode		Réglage de contrôle de vitesse	Plateau
		Oscillation aléatoire avec rotation forcée	Aléatoire		
Peinture	Ponçage	-	○	1 - 3	Doux
	Réparations (rayures, taches de rouille)	○		2 - 3	Rude
	Décapage grossier de peinture	○	-	4 - 5	Doux
Plastiques	Plastiques mous (PVC/ABS)	○		1 - 3	Super doux/ Doux
	Plastiques durs (plastique renforcé de fibres)	○	-	1 - 3	Doux/ Rude
Bois	Bois mou	-	○	1 - 3	Super doux/ Doux
	Bois dur	○		3 - 5	Doux
	Placages	-	○	1 - 2	Super doux
Métaux	Métaux non ferreux (aluminium, cuivre)	○		1 - 3	Doux
	Acier	○	-	3 - 5	Doux/ Rude
	Acier, élimination de la rouille	○	-	4 - 5	Super doux
	Métal dur (acier inoxydable)	○	-	4 - 5	Doux

## Polissage

Utilisation	Sélection du mode	Réglage de contrôle de vitesse	Plateau
Application de cire	Oscillation aléatoire avec rotation forcée	2 - 4	Plateau en mousse
Retrait de cire	Oscillation aléatoire avec rotation forcée	3 - 4	Plateau en feutre
Polissage	Oscillation aléatoire avec rotation forcée	3 - 4	Plateau en laine

Les informations ci-dessus ne sont présentées qu'à titre indicatif. Dans chacun des cas, il est souhaitable d'effectuer des essais préliminaires pour choisir le grain du disque de ponçage le plus adéquat.

## Protecteur

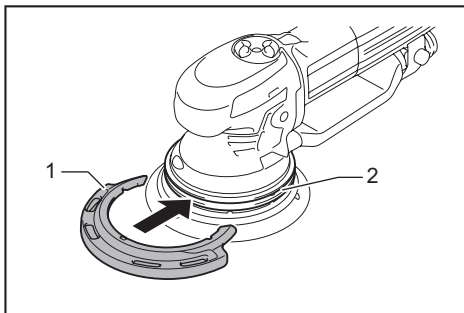


► 1. Protecteur

Le protecteur protège le plateau, le carter de l'outil et le mur contre les dommages lorsque l'on travaille près d'un mur. Utilisez toujours le protecteur pour effectuer le travail.

Pour installer le protecteur, alignez sa languette sur la rainure, puis enfoncez le protecteur.

Pour retirer le protecteur, tirez-le vers l'avant.

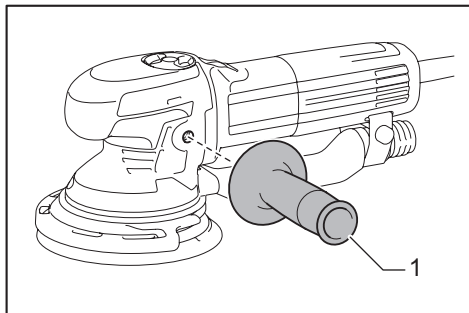


► 1. Protecteur 2. Rainure

## ASSEMBLAGE

**ATTENTION** : Avant d'effectuer toute intervention sur l'outil, assurez-vous toujours qu'il est hors tension et débranché.

### Pose de la poignée latérale

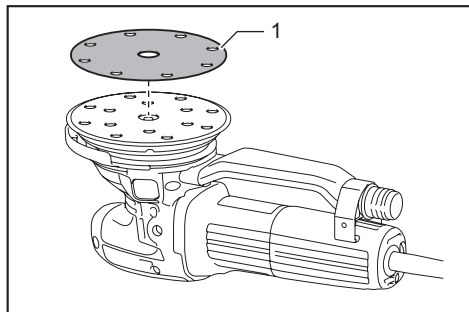


► 1. Poignée latérale

Vissez fermement la poignée latérale sur l'outil. La poignée latérale s'installe d'un côté comme de l'autre de l'outil.

### Pose ou retrait du disque abrasif

**ATTENTION** : Utilisez toujours des disques abrasifs dotés d'un dispositif autoagrippant. N'utilisez jamais de disques abrasifs sensibles à la pression.



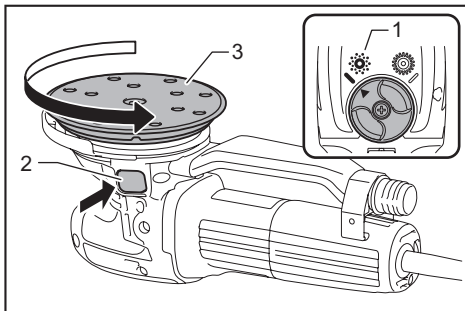
► 1. Disque abrasif

Pour installer le disque abrasif ou le plateau autoagrippant (accessoire en option), enlevez d'abord toutes les saletés et les corps étrangers sur le plateau. Fixez ensuite le disque abrasif au plateau, en utilisant le dispositif autoagrippant du disque abrasif et du plateau. Alignez soigneusement les orifices du disque abrasif sur ceux du plateau.

Pour retirer le disque du plateau, soulevez simplement le disque en le tirant par les côtés.

## Changement de plateau

**ATTENTION** : Assurez-vous que le nouveau plateau est installé fermement. Autrement le plateau risque de se détacher de l'outil et de causer une blessure.



► 1. Mode d'oscillation aléatoire avec rotation forcée  
2. Bouton de blocage de l'arbre 3. Plateau

Makita offre une large gamme de plateaux super doux, doux et rudes en option.

Pour changer de plateau, procédez comme suit :

1. Mettez le bouton de changement de mode sur le mode d'oscillation aléatoire avec rotation forcée.
2. Tout en maintenant le bouton de blocage de l'arbre enfoncé, retirez le plateau en le tournant dans le sens contraire des aiguilles d'une montre.
3. Tout en continuant d'enfoncer le bouton de blocage de l'arbre, installez un nouveau plateau en le tournant fermement dans le sens des aiguilles d'une montre.

## Raccord à poussières

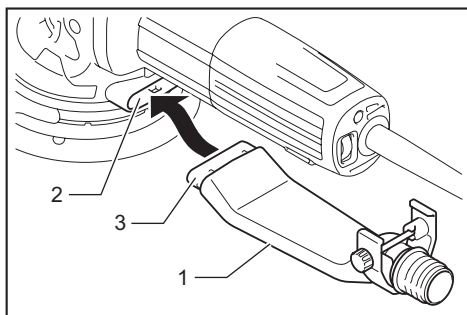
**ATTENTION** : Après avoir installé le raccord à poussières, assurez-vous que le boulon est bien serré. Autrement le raccord à poussières risque de tomber et de causer une blessure.

**AVIS** : Ne transportez pas l'outil par le raccord à poussières. Autrement vous risquez d'endommager l'outil.

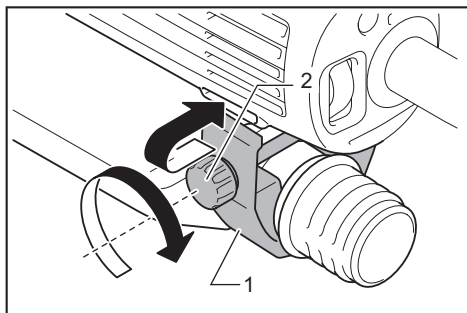
Si le raccord à poussières n'est pas nécessaire pour le travail à effectuer, vous pouvez le retirer.

Pour retirer le raccord à poussières, desserrez le boulon, puis ouvrez légèrement la section support et retirez le raccord à poussières.

Pour installer le raccord à poussières, insérez son bec dans la sortie à poussières du carter, alignez la languette de la section support sur la rainure du carter, et serrez le boulon.

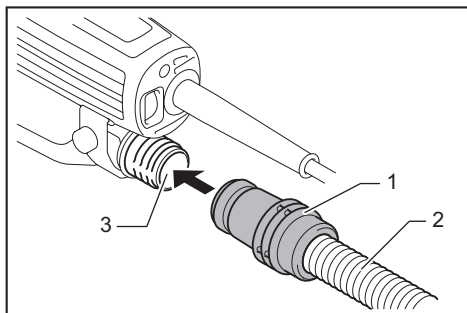


- 1. Raccord à poussières 2. Sortie à poussières  
3. Bec



- 1. Section support 2. Boulon

### Collecte des poussières (accessoire en option)



- 1. Braclet avant 24 2. Tuyau 3. Sortie à poussières

Si un tuyau Makita est utilisé, vous pouvez connecter le bracelet avant 24 directement sur la sortie à poussières.

## UTILISATION

**⚠ATTENTION** : Utilisez exclusivement les disques abrasifs et plateaux Makita pour ponceuse (accessoires en option).

**⚠ATTENTION** : Ne mettez jamais l'outil en marche alors qu'il se trouve en contact avec la pièce à travailler, pour éviter de vous blesser.

**⚠ATTENTION** : Assurez-vous que le matériau à travailler est fixé et stable. La chute d'un objet peut causer une blessure.

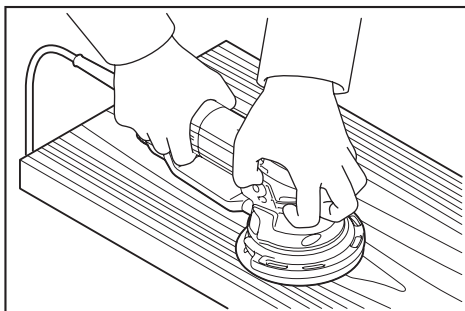
**⚠ATTENTION** : Tenez l'outil fermement en plaçant une main sur la poignée à interrupteur et l'autre sur la poignée avant (ou la poignée latérale) lorsque vous utilisez l'outil.

**AVIS** : Prenez garde d'enfoncer le bouton de blocage de l'arbre. Cela peut raccourcir la durée de service de l'outil.

**AVIS** : Ne forcez jamais l'outil. Une pression excessive peut réduire l'efficacité du ponçage/polissage, endommager le disque abrasif ou le plateau, ou raccourcir la durée de service de l'outil.

### Opération de ponçage

**AVIS** : N'utilisez jamais l'outil sans le disque abrasif. Vous risqueriez de sérieusement endommager le plateau.

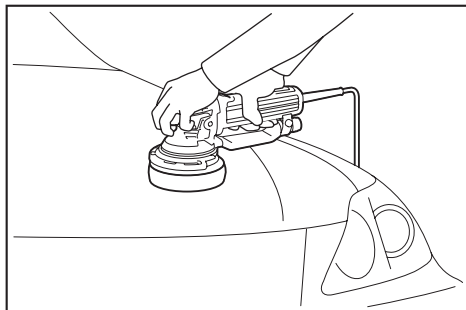


Tenez l'outil fermement. Mettez l'outil sous tension et attendez qu'il atteigne sa pleine vitesse. Placez ensuite doucement l'outil sur la surface de la pièce. Maintenez le plateau parallèle à la pièce et appliquez une pression modérée sur l'outil.

## Opération de polissage

### Accessoire en option

**AVIS** : L'utilisation continue à vitesse élevée peut endommager la surface à travailler.



#### 1. Application de cire

Utilisez la plateau en mousse. Appliquez de la cire sur le plateau en mousse ou sur la surface à travailler. Faites tourner l'outil à vitesse basse pour étendre la cire.

**NOTE** : Cirez d'abord une partie non visible de la surface à travailler pour vous assurer que l'outil n'éraflera pas la surface ou ne produira pas un cirage inégal.

#### 2. Retrait de cire

Utilisez le plateau en feutre. Retirez la cire à l'aide de l'outil.

#### 3. Polissage

Appliquez le plateau en laine doucement sur la surface à travailler.

## ENTRETIEN

**ATTENTION** : Assurez-vous toujours que l'outil est hors tension et débranché avant d'y effectuer tout travail d'inspection ou d'entretien.

**AVIS** : N'utilisez jamais d'essence, de benzine, de solvant, d'alcool ou autres produits similaires. Une décoloration, une déformation ou la formation de fissures peuvent en découler.

Pour maintenir la SÉCURITÉ et la FIABILITÉ du produit, les réparations et tout autre travail d'entretien ou de réglage doivent être effectués dans un centre de service après-vente autorisé ou une usine Makita, exclusivement avec des pièces de rechange Makita.

## ACCESSOIRES EN OPTION

**ATTENTION** : Ces accessoires ou pièces complémentaires sont recommandés pour l'utilisation avec l'outil Makita spécifié dans ce manuel. L'utilisation de tout autre accessoire ou pièce complémentaire peut comporter un risque de blessure. N'utilisez les accessoires ou pièces complémentaires qu'aux fins auxquelles ils ont été conçus.

Si vous désirez obtenir plus de détails sur ces accessoires, veuillez contacter le centre de service après-vente Makita le plus près.

- Disques abrasifs autoagrippants (avec orifices pré-perforés)
- Plateau en mousse autoagrippant
- Plateau en feutre autoagrippant
- Plateau en laine autoagrippant
- Plateau 150 (Super doux, Doux, Rude)
- Plateau 130 (Polissage)
- Poignée latérale

**NOTE** : Certains éléments de la liste peuvent être inclus avec l'outil comme accessoires standards. Ils peuvent varier suivant les pays.

## GARANTIE LIMITÉE MAKITA

Pour les conditions de garantie en vigueur qui s'appliquent à ce produit, veuillez vous reporter à la feuille de garantie en annexe. Si la feuille de garantie en annexe n'est pas disponible, reportez-vous aux détails de la garantie présentés sur le site Web de votre pays, ci-dessous.

États-Unis d'Amérique: [www.makitatools.com](http://www.makitatools.com)

Canada: [www.makita.ca](http://www.makita.ca)

Autres pays: [www.makita.com](http://www.makita.com)



## ESPECIFICACIONES

<b>Modelo:</b>	<b>BO6050</b>
Especificaciones eléctricas en México	120 V ~ 6,6 A 50/60 Hz
Tamaño de la almohadilla	150 mm (6")
Órbitas por minuto	1 600 r/min - 6 800 r/min
Longitud total	330 mm (13")
Peso neto	2,6 kg (5,7 lbs)
Clase de seguridad	□/II

- Debido a nuestro programa continuo de investigación y desarrollo, las especificaciones aquí dadas están sujetas a cambios sin previo aviso.
- Las especificaciones pueden variar de país a país.
- Peso de acuerdo al procedimiento de EPTA-01/2003

### Advertencias generales de seguridad para herramientas eléctricas

**⚠ADVERTENCIA:** Lea todas las advertencias de seguridad e instrucciones. El no seguir las advertencias e instrucciones indicadas puede ocasionar una descarga eléctrica, un incendio y/o lesiones graves.

### Conserve todas las advertencias e instrucciones como referencia en el futuro.

En las advertencias, el término "herramienta eléctrica" se refiere a su herramienta eléctrica de funcionamiento con conexión a la red eléctrica (con cableado eléctrico) o herramienta eléctrica de funcionamiento a batería (inalámbrica).

#### Seguridad en el área de trabajo

1. **Mantenga el área de trabajo limpia y bien iluminada.** Las áreas oscuras o desordenadas son propensas a accidentes.
2. **No utilice las herramientas eléctricas en atmósferas explosivas, tal como en la presencia de líquidos, gases o polvo inflamables.** Las herramientas eléctricas crean chispas que pueden prender fuego al polvo o los humos.
3. **Mantenga a los niños y curiosos alejados mientras utiliza una herramienta eléctrica.** Las distracciones le pueden hacer perder el control.

#### Seguridad eléctrica

1. **Las clavijas de conexión de las herramientas eléctricas deberán encajar perfectamente en la toma de corriente. No modifique nunca la clavija de conexión de ninguna forma. No utilice ninguna clavija adaptadora con herramientas eléctricas que tengan conexión a tierra (puesta a tierra).** La utilización de clavijas no modificadas y que encajen perfectamente en la toma de corriente reducirá el riesgo de que se produzca una descarga eléctrica.

2. **Evite tocar con el cuerpo superficies conectadas a tierra o puestas a tierra tales como tubos, radiadores, cocinas y refrigeradores.** Si su cuerpo es puesto a tierra o conectado a tierra existirá un mayor riesgo de que sufra una descarga eléctrica.
3. **No exponga las herramientas eléctricas a la lluvia ni a condiciones húmedas.** La entrada de agua en una herramienta eléctrica aumentará el riesgo de que se produzca una descarga eléctrica.
4. **No maltrate el cable. Nunca utilice el cable para transportar, jalar o desconectar la herramienta eléctrica. Mantenga el cable alejado del calor, aceite, objetos cortantes o piezas móviles.** Los cables dañados o enredados aumentan el riesgo de sufrir una descarga eléctrica.
5. **Cuando utilice una herramienta eléctrica en exteriores, utilice un cable de extensión apropiado para uso en exteriores.** La utilización de un cable apropiado para uso en exteriores reducirá el riesgo de que se produzca una descarga eléctrica.
6. **Si no es posible evitar usar una herramienta eléctrica en condiciones húmedas, utilice un alimentador protegido con interruptor de circuito de falla a tierra (ICFT).** El uso de un ICFT reduce el riesgo de descarga eléctrica.

#### Seguridad personal

1. **Manténgase alerta, preste atención a lo que está haciendo y utilice su sentido común cuando opere una herramienta eléctrica. No utilice una herramienta eléctrica cuando esté cansado o bajo la influencia de drogas, alcohol o medicamentos.** Un momento de distracción mientras opera las herramientas eléctricas puede terminar en una lesión grave.
2. **Use equipo de protección personal. Póngase siempre protección para los ojos.** El equipo protector tal como máscara contra el polvo, zapatos de seguridad antiderrapantes, casco rígido y protección para oídos utilizado en las condiciones apropiadas reducirá el riesgo de lesiones.

3. **Impida el encendido accidental. Asegúrese de que el interruptor esté en la posición de apagado antes de conectar a la alimentación eléctrica y/o de colocar el cartucho de batería, así como al levantar o cargar la herramienta.** Cargar las herramientas eléctricas con su dedo en el interruptor o enchufarlas con el interruptor encendido hace que los accidentes sean comunes.
4. **Retire cualquier llave de ajuste o llave de apriete antes de encender la herramienta.** Una llave de ajuste o llave de apriete que haya sido dejada puesta en una parte giratoria de la herramienta eléctrica puede ocasionar alguna lesión.
5. **No utilice la herramienta donde no alcance. Mantenga los pies sobre suelo firme y el equilibrio en todo momento.** Esto permite un mejor control de la herramienta eléctrica en situaciones inesperadas.
6. **Use vestimenta apropiada. No use ropas sueltas ni joyas. Mantenga el cabello, la ropa y los guantes alejados de las piezas móviles.** Las prendas de vestir holgadas, las joyas y el cabello suelto podrían engancharse en las piezas móviles.
7. **Si dispone de dispositivos para la conexión de equipos de extracción y recolección de polvo, asegúrese de conectarlos y utilizarlos debidamente.** Hacer uso de la recolección de polvo puede reducir los riesgos relacionados con el polvo.
4. **Guarde la herramienta eléctrica que no use fuera del alcance de los niños y no permita que las personas que no están familiarizadas con ella o con las instrucciones la operen.** Las herramientas eléctricas son peligrosas en manos de personas que no saben operarlas.
5. **Realice el mantenimiento a las herramientas eléctricas. Compruebe que no haya partes móviles desalineadas o estancadas, piezas rotas y cualquier otra condición que pueda afectar al funcionamiento de la herramienta eléctrica. Si la herramienta eléctrica está dañada, haga que se la reparen antes de utilizarla.** Muchos accidentes son ocasionados por herramientas eléctricas con mantenimiento inadecuado.
6. **Mantenga las herramientas de corte limpias y filosas.** Si recibe un mantenimiento adecuado y tiene los bordes afilados, es probable que la herramienta se atasque menos y sea más fácil controlarla.
7. **Utilice la herramienta eléctrica, los accesorios y las brocas de acuerdo con estas instrucciones, considerando las condiciones laborales y el trabajo a realizar.** Si utiliza la herramienta eléctrica para realizar operaciones distintas de las indicadas, podrá presentarse una situación peligrosa.

#### Servicio

1. **Haga que una persona calificada repare la herramienta eléctrica utilizando sólo piezas de repuesto idénticas.** Esto asegura que se mantenga la seguridad de la herramienta eléctrica.
2. **Siga las instrucciones para la lubricación y cambio de accesorios.**
3. **Mantenga las agarraderas secas, limpias y sin aceite o grasa.**

#### UTILICE CABLES DE EXTENSIÓN APROPIADOS.

Asegúrese de que su cable de extensión esté en buenas condiciones. Cuando utilice un cable de extensión, asegúrese de utilizar uno del calibre suficiente para conducir la corriente que demande el producto. Un cable de calibre inferior ocasionará una caída en la tensión de línea y a su vez una pérdida de potencia y sobrecalentamiento. La tabla 1 muestra la medida correcta a utilizar dependiendo de la longitud del cable y el amperaje nominal indicado en la placa de características. Si no está seguro, utilice el siguiente calibre más alto. Cuanto menor sea el número de calibre, más corriente podrá conducir el cable.

#### Mantenimiento y uso de la herramienta eléctrica

1. **No fuerce la herramienta eléctrica. Utilice la herramienta eléctrica correcta para su aplicación.** La herramienta eléctrica adecuada hará un mejor trabajo y de forma más segura a la velocidad para la que ha sido fabricada.
2. **No utilice la herramienta eléctrica si el interruptor no la enciende y apaga.** Cualquier herramienta eléctrica que no pueda ser controlada con el interruptor es peligrosa y debe ser reemplazada.
3. **Desconecte la clavija de la fuente de energía y/o la batería de la herramienta eléctrica antes de realizar ajustes, cambiar accesorios o guardar las herramientas eléctricas.** Dichas medidas de seguridad preventivas reducen el riesgo de que la herramienta se inicie accidentalmente.

Tabla 1: Calibre mínimo para el cable

Amperaje nominal		Voltios	Longitud total del cable en metros			
			7 m (25 ft.)	15 m (50 ft.)	30 m (100 ft.)	45,7 m (150 ft.)
120 V ~			7 m (25 ft.)	15 m (50 ft.)	30 m (100 ft.)	45,7 m (150 ft.)
220 V ~ - 240 V ~			15 m (50 ft.)	30 m (100 ft.)	60,9 m (200 ft.)	91,4 m (300 ft.)
Más de	No más de	Calibre del cable (AWG)				
0 A	6 A	-	18	16	16	14
6 A	10 A		18	16	14	12
10 A	12 A		16	16	14	12
12 A	16 A		14	12	No se recomienda	

## Advertencias de seguridad para la lijadora


1. Use siempre gafas de seguridad o protectoras. Los anteojos comunes o para el sol NO son gafas de seguridad.
2. Sostenga firmemente la herramienta.
3. No deje la herramienta en marcha. Tenga en marcha la herramienta solamente cuando la esté sosteniendo con la mano.
4. Esta herramienta no es a prueba de agua, por lo que no deberá utilizar agua en la superficie de la pieza de trabajo.
5. Ventile el área de trabajo adecuadamente cuando realice operaciones de lijado.
6. Algunos materiales contienen sustancias químicas que pueden ser tóxicas. Tome precauciones para evitar la inhalación de polvo o que éste tenga contacto con la piel. Consulte la hoja de seguridad de materiales del proveedor.
7. El uso de esta herramienta para lijar algunos productos, pinturas y madera podrá exponer al usuario a polvo que contenga sustancias peligrosas. Utilice protección respiratoria apropiada.
8. Asegúrese de que no haya grietas o roturas en la almohadilla antes de usar la herramienta. Las grietas y roturas pueden causar lesiones personales.

## GUARDE ESTAS INSTRUCCIONES.

**⚠ ADVERTENCIA:** NO DEJE que la comodidad o familiaridad con el producto (a base de utilizarlo repetidamente) sustituya la estricta observancia de las normas de seguridad para dicho producto. El MAL USO o el no seguir las normas de seguridad establecidas en este manual de instrucciones puede ocasionar lesiones personales graves.

## Símbolos

A continuación se muestran los símbolos utilizados para la herramienta.

V	volts o voltios
A	amperes
Hz	hertz
~	corriente alterna
$n_c$	velocidad sin carga
	Construcción clase II
... /min	órbitas por minuto
r/min	

## DESCRIPCIÓN DEL FUNCIONAMIENTO

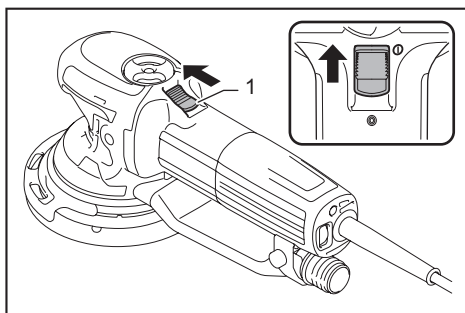
**⚠ PRECAUCIÓN:** Asegúrese siempre de que la herramienta esté apagada y desconectada antes de ajustar o comprobar cualquier función en la herramienta.

## Accionamiento del interruptor

**⚠ PRECAUCIÓN:** Antes de conectar la herramienta, compruebe siempre que el interruptor deslizable se acciona debidamente y que regresa a la posición de apagado al presionar la parte trasera del interruptor deslizable.

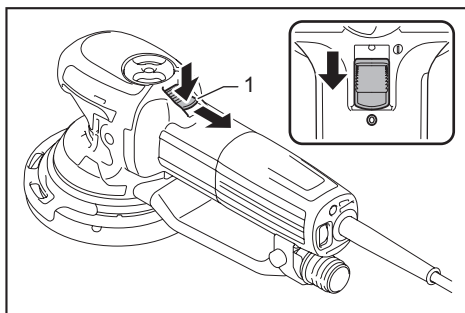
**⚠ PRECAUCIÓN:** Tenga cuidado cuando bloquee la herramienta en la posición de encendido y sujete la herramienta firmemente.

Para poner en marcha la herramienta, deslice el interruptor deslizable hacia la posición "I" (encendido). Para una operación continua, presione la parte delantera del interruptor deslizable para bloquearlo.



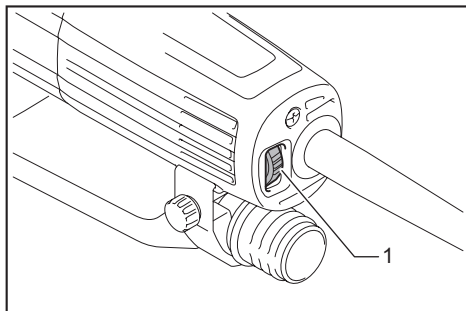
► 1. Interruptor deslizable

Para detener la herramienta, presione la parte trasera del interruptor deslizable y luego deslícelo hacia la posición "O" (apagado).



► 1. Interruptor deslizable

## Dial de ajuste de velocidad



► 1. Dial de ajuste de velocidad

La velocidad de giro puede cambiarse girando el dial de ajuste de velocidad hasta la configuración de un número dado de 1 a 5. Se logra una mayor velocidad cuando el dial se gira hacia el número 5. Y se logra una menor velocidad cuando se gira hacia el número 1. Consulte la tabla para ver la relación entre las configuraciones de los números en el dial y la velocidad aproximada de giro.

Número	Órbitas por minuto	Velocidad de giro por minuto de la almohadilla en modo orbital aleatorio con rotación forzada
1	1 600	140
2	2 900	260
3	4 200	370
4	5 500	490
5	6 800	600

**AVISO:** El uso continuo de la herramienta a bajas velocidades durante un tiempo prolongado provocará la sobrecarga del motor y un funcionamiento deficiente de la herramienta.

**AVISO:** El dial de ajuste de velocidad sólo se puede girar hasta 5 y nuevamente hasta 1. No lo fuerce más allá de 5 o 1 o la función de ajuste de velocidad podrá dejar de funcionar.

## Función electrónica

Las herramientas equipadas con función electrónica son fáciles de usar debido a las siguientes características.

### Control de velocidad constante

Es posible obtener un buen acabado, ya que la velocidad de giro se mantiene constante incluso en condición de carga.

### Característica de inicio suave

Inicio suave debido a la supresión del choque de inicio.

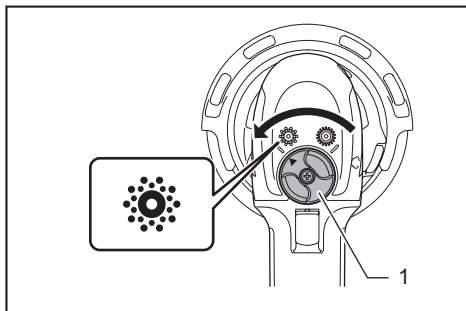
## Selección del modo de accionamiento

Utilice la perilla de cambio para modificar el modo de rotación.

**AVISO:** Siempre gire la perilla completamente. Si la perilla se encuentra en la posición intermedia, no podrá encender la herramienta.

**NOTA:** Una vez encendida la herramienta usted no podrá cambiar el modo de accionamiento.

## Modo orbital aleatorio con rotación forzada

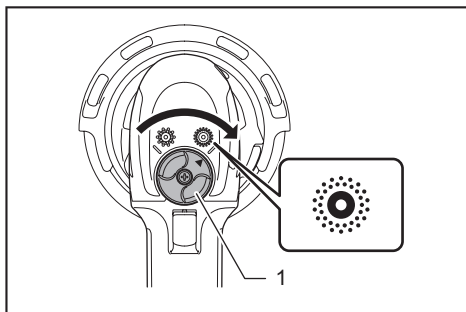


► 1. Perilla de cambio

El modo orbital aleatorio con rotación forzada consiste en la acción orbital con rotación forzada de la almohadilla para el lijado grueso y pulido.

Gire la perilla de cambio en sentido inverso al de las manecillas del reloj para el modo orbital aleatorio con rotación forzada.

## Modo orbital aleatorio



► 1. Perilla de cambio

El modo orbital aleatorio consiste en la acción orbital con rotación libre de la almohadilla para el lijado fino. Gire la perilla de cambio en el sentido de las manecillas del reloj para el modo orbital aleatorio.

# Aplicaciones típicas para lijado y pulido

## Lijado

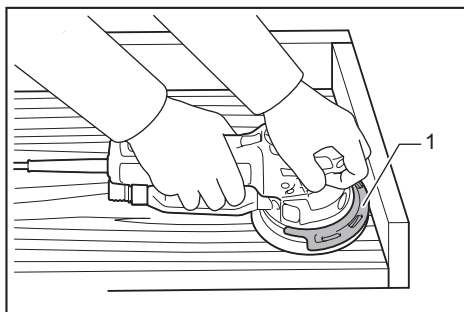
Material	Uso	Selección de modo		Configuración del control de velocidad	Almohadilla
		Orbital aleatorio con rotación forzada	Aleatorio		
Pintura	Lijado	-	○	1 - 3	Suave
	Reparaciones (rayaduras, puntos oxidados)	○		2 - 3	Dura
	Desprendimiento severo de pintura	○	-	4 - 5	Suave
Plásticos	Plásticos suaves (PVC/ABS)	○		1 - 3	Extra suave/ suave
	Plásticos duros (FRP)	○	-	1 - 3	Suave/ dura
Maderas	Blanda	-	○	1 - 3	Extra suave/ suave
	Dura	○		3 - 5	Suave
	Enchapados	-	○	1 - 2	Extra suave
Metales	Metal no ferroso (aluminio, cobre)	○		1 - 3	Suave
	Acero	○	-	3 - 5	Suave/ dura
	Acero, eliminación de óxido	○	-	4 - 5	Extra suave
	Metal duro (acero inoxidable)	○	-	4 - 5	Suave

## Pulido

Uso	Selección de modo	Configuración del control de velocidad	Almohadilla
Encerado	Orbital aleatorio con rotación forzada	2 - 4	Almohadilla de esponja
Remoción de cera	Orbital aleatorio con rotación forzada	3 - 4	Almohadilla de fieltro
Pulido	Orbital aleatorio con rotación forzada	3 - 4	Almohadilla de lana

La información anterior es proporcionada únicamente a manera de referencia. En cada caso, deberá determinarse el grano del disco de lijado más apropiado mediante pruebas preliminares.

## Protector

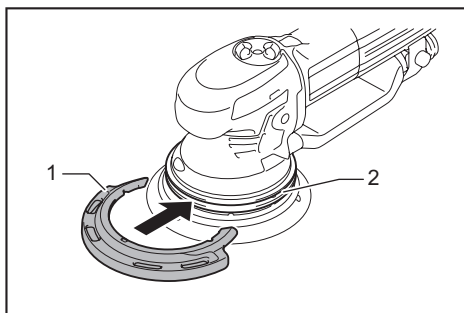


► 1. Protector

El protector previene daños en la almohadilla, el alojamiento de la herramienta y la pared cercana al área donde se esté trabajando. Siempre utilice el protector cuando esté trabajando.

Para instalar el protector, alinee la lengüeta del protector con la ranura y empuje el protector.

Para retirar el protector, jale el protector hacia adelante.

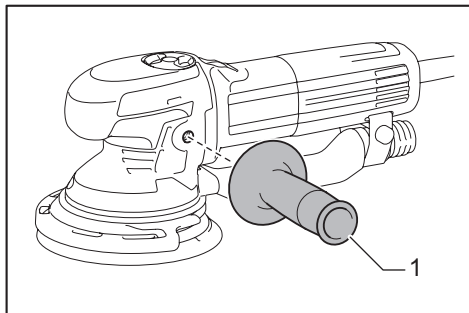


► 1. Protector 2. Ranura

## MONTAJE

**⚠PRECAUCIÓN:** Asegúrese siempre de que la herramienta esté apagada y desconectada antes de realizar cualquier trabajo en la misma.

### Instalación de la empuñadura lateral



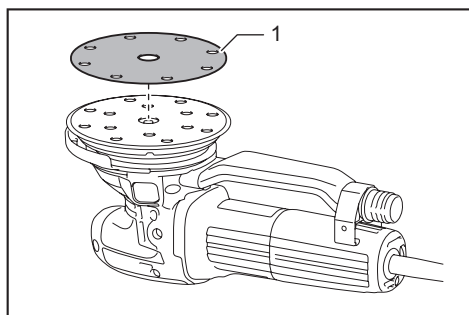
► 1. Empuñadura lateral

Atornille la empuñadura lateral firmemente a la herramienta.

La empuñadura lateral puede ser instalada en cualquiera de los lados de la herramienta.

### Instalación o extracción del disco abrasivo

**⚠PRECAUCIÓN:** Utilice siempre discos abrasivos con sistema adherible. Nunca use discos abrasivos sensibles a la presión.



► 1. Disco abrasivo

Para instalar el disco abrasivo o la almohadilla de tipo adherible (accesorio opcional), primero elimine toda la suciedad y materiales extraños de la almohadilla.

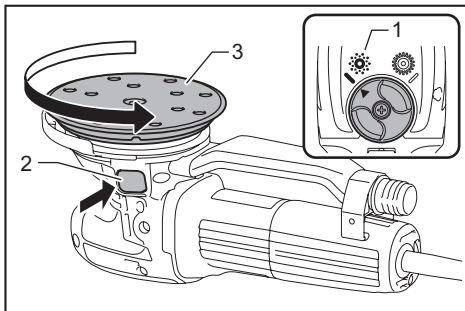
Después fije el disco abrasivo a la almohadilla mediante el sistema adherible del disco abrasivo y la almohadilla.

Asegúrese de alinear los orificios del disco abrasivo con los de la almohadilla.

Para quitar el disco de la almohadilla, simplemente tire de un extremo.

## Cambio de la almohadilla

**⚠PRECAUCIÓN:** Asegúrese de que la almohadilla nueva quede bien instalada. De lo contrario, la almohadilla puede salirse de la herramienta y ocasionar lesiones personales.



► 1. Modo orbital aleatorio con rotación forzada  
2. Botón de bloqueo del eje 3. Almohadilla

Makita ofrece una amplia gama de almohadillas opcionales extra suaves, suaves y duras.

Para cambiar la almohadilla, haga lo siguiente:

1. Use la perilla de cambio y cambie al modo orbital aleatorio con rotación forzada.
2. Mantenga oprimido el botón de bloqueo del eje y retire la almohadilla girándola en sentido inverso al de las manecillas del reloj.
3. Siga oprimiendo el botón de bloqueo del eje e instale una nueva almohadilla girándola firmemente en el sentido de las manecillas del reloj.

## Boquilla para polvo

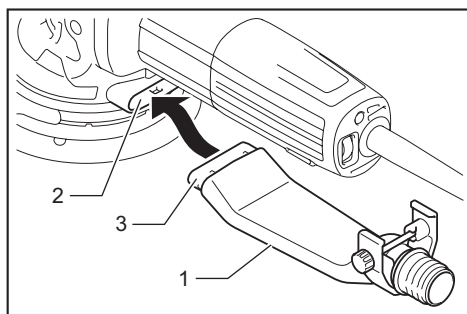
**⚠PRECAUCIÓN:** Asegúrese de que el perno esté bien apretado después de instalar la boquilla para polvo. De lo contrario, la boquilla para polvo podría caerse y ocasionar lesiones personales.

**AVISO:** No transporte la herramienta sujetándola de la boquilla para polvo. El hacerlo podría dañar la herramienta.

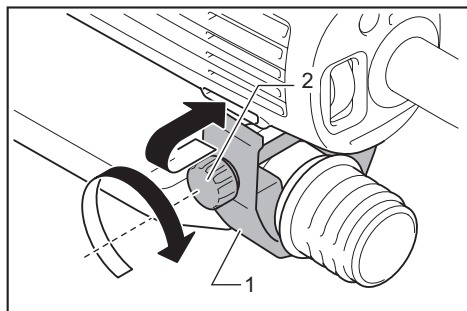
La boquilla para polvo puede ser extraída de acuerdo con la operación.

Para extraer la boquilla para polvo, afloje el perno, abra ligeramente la pieza de la agarradera y retire la boquilla para polvo.

Para instalar la boquilla para polvo, inserte la abertura de la boquilla para polvo en la salida de polvo del alojamiento, alinee la lengüeta de la pieza de la agarradera con la ranura en el alojamiento y apriete el perno.

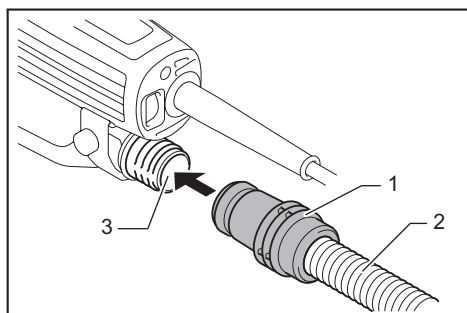


► 1. Boquilla para polvo 2. Salida de polvo 3. Abertura



► 1. Pieza de la agarradera 2. Perno

### Recolector de polvo (accesorio opcional)



► 1. Manguito delantero 24 2. Manguera 3. Salida de polvo

Si se está utilizando una manguera de Makita, puede conectar el manguito delantero 24 directamente a la salida de polvo.

## OPERACIÓN

**⚠PRECAUCIÓN:** Utilice únicamente discos abrasivos y almohadillas para lijadora originales de Makita (accesorios opcionales).

**⚠PRECAUCIÓN:** No encienda nunca la herramienta cuando ésta esté en contacto con la pieza de trabajo, esto podría ocasionar lesiones al operador.

**⚠PRECAUCIÓN:** Asegúrese de que el material de trabajo esté asegurado y estable. La caída de algún objeto podría causar lesiones personales.

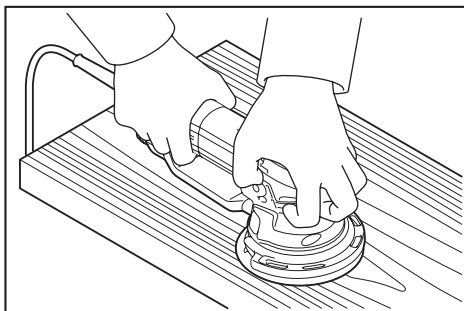
**⚠PRECAUCIÓN:** Sujete la herramienta firmemente con una mano en el mango del interruptor y la otra mano en la empuñadura delantera (o mango lateral) al utilizar la herramienta.

**⚠AVISO:** Asegúrese de no oprimir el botón de bloqueo del eje. Esto podría acortar la vida útil de la herramienta.

**⚠AVISO:** Nunca fuerce la herramienta. Una presión excesiva puede disminuir la eficacia del lijado/pulido, dañar el disco abrasivo/almohadilla o acortar la vida útil de la herramienta.

### Operación de lijado

**⚠AVISO:** Nunca ponga en marcha la herramienta sin el disco abrasivo. Esto podría causar daños graves a la almohadilla.

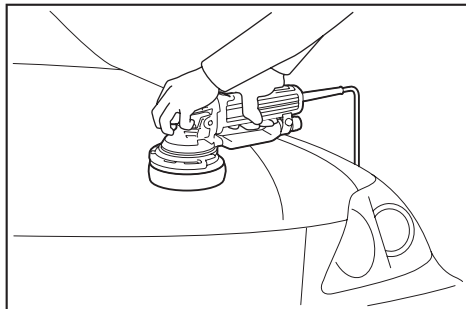


Sostenga firmemente la herramienta. Encienda la herramienta y espere a que alcance su velocidad máxima. Después apoye suavemente la herramienta sobre la superficie de la pieza de trabajo. Mantenga la almohadilla alineada con la pieza de trabajo y aplique una suave presión sobre la herramienta.

## Operación de pulido

### Accesorio opcional

**AVISO:** La operación continua a alta velocidad podría dañar la superficie de trabajo.



#### 1. Encerado

Utilice la almohadilla de esponja. Aplique cera en la almohadilla de esponja o sobre la superficie de trabajo. Haga funcionar la herramienta a baja velocidad para distribuir la cera.

**NOTA:** Primero, encere una porción no visible de la superficie de trabajo para asegurarse de que la herramienta no raye la superficie ni distribuya la cera en forma dispareja.

#### 2. Remoción de cera

Utilice la almohadilla de fieltro. Haga funcionar la herramienta para quitar la cera.

#### 3. Pulido

Aplique la almohadilla de lana suavemente sobre la superficie de trabajo.

## MANTENIMIENTO

**PRECAUCIÓN:** Asegúrese siempre de que la herramienta esté apagada y desconectada antes de intentar realizar una inspección o mantenimiento.

**AVISO:** Nunca use gasolina, bencina, diluyente (tíner), alcohol o sustancias similares. Puede que esto ocasione grietas o descoloramiento.

Para mantener la SEGURIDAD y FIABILIDAD del producto, las reparaciones, y cualquier otra tarea de mantenimiento o ajuste deberán ser realizadas en centros de servicio autorizados o de fábrica Makita, empleando siempre repuestos Makita.

## ACCESORIOS OPCIONALES

**PRECAUCIÓN:** Estos accesorios o aditamentos están recomendados para utilizarse con su herramienta Makita especificada en este manual. El empleo de cualquier otro accesorio o aditamento puede conllevar el riesgo de lesiones personales. Utilice los accesorios o aditamentos solamente para su fin establecido.

Si necesita cualquier ayuda para más detalles en relación con estos accesorios, pregunte a su centro de servicio local Makita.

- Discos abrasivos de tipo adherible (con perforaciones)
- Almohadilla de esponja de tipo adherible
- Almohadilla de fieltro de tipo adherible
- Almohadilla de lana de tipo adherible
- Almohadilla 150 (extra suave, suave, dura)
- Almohadilla 130 (pulido)
- Empuñadura lateral

**NOTA:** Algunos de los artículos en la lista pueden incluirse en el paquete de la herramienta como accesorios estándar. Éstos pueden variar de país a país.

## GARANTÍA LIMITADA DE MAKITA

### Ésta Garantía no aplica para México

Consulte la hoja de la garantía anexa para ver los términos más vigentes de la garantía aplicable a este producto. En caso de no disponer de esta hoja de garantía anexa, consulte los detalles sobre la garantía descritos en el sitio web de su país respectivo indicado a continuación.

Estados Unidos de América: [www.makitatools.com](http://www.makitatools.com)

Canadá: [www.makita.ca](http://www.makita.ca)

Otros países: [www.makita.com](http://www.makita.com)









< USA only >

# WARNING

Some dust created by power sanding, sawing, grinding, drilling, and other construction activities contains chemicals known to the State of California to cause cancer, birth defects or other reproductive harm. Some examples of these chemicals are:

- lead from lead-based paints,
- crystalline silica from bricks and cement and other masonry products, and
- arsenic and chromium from chemically-treated lumber.

Your risk from these exposures varies, depending on how often you do this type of work. To reduce your exposure to these chemicals: work in a well ventilated area, and work with approved safety equipment, such as those dust masks that are specially designed to filter out microscopic particles.

< Sólo en los Estados Unidos >

# ADVERTENCIA

Algunos polvos creados por el lijado, aserrado, esmerilado, taladrado y otras actividades de la construcción contienen sustancias químicas reconocidas por el Estado de California como causantes de cáncer, defectos de nacimiento y otros peligros de reproducción. Algunos ejemplos de estos productos químicos son:

- plomo de pinturas a base de plomo,
- sílice cristalino de ladrillos y cemento y otros productos de albañilería, y
- arsénico y cromo de maderas tratadas químicamente.

El riesgo al que se expone varía, dependiendo de la frecuencia con la que realice este tipo de trabajo. Para reducir la exposición a estos productos químicos: trabaje en un área bien ventilada y póngase el equipo de seguridad indicado, tal como las máscaras contra polvo que están especialmente diseñadas para filtrar partículas microscópicas.

**Makita Corporation**

3-11-8, Sumiyoshi-cho,  
Anjo, Aichi 446-8502 Japan

[www.makita.com](http://www.makita.com)

885445B948  
BO6050-1  
EN, FRCA, ESMX  
20190618